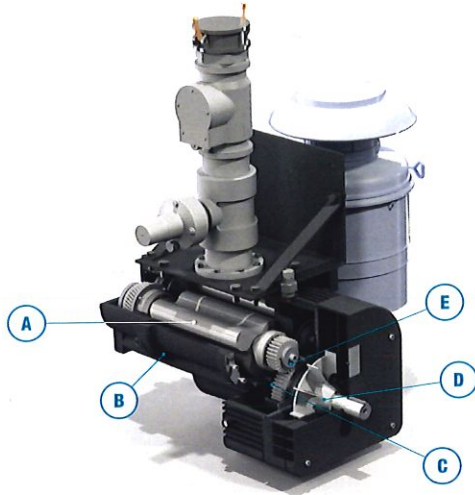


# Savings for the road ahead

Introducing the Roots® 412 HPT Blower for the Dry Bulk Conveying market



**Revolving Around You™**



**For further information contact**

**Howden Roots**

900 West Mount Street  
Connersville, IN, U.S.A.

For customer care call:

**Tel:** 1-800-55-ROOTS (76687)

**Email:** Connersville.CustomerCare@howden.com

**Web:** www.howdenroots.com

**Design Features**

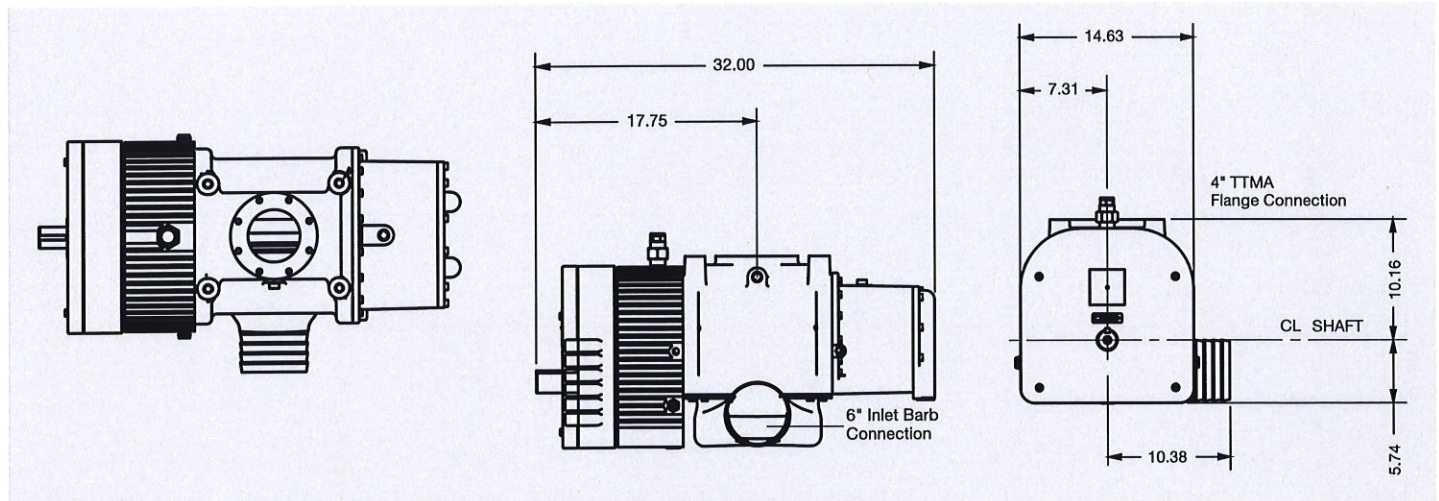
**A** Tri-lobe/ Positive Displacement impeller design optimizes flow efficiency and ensures that the blower is only delivering the required discharge pressure and not over-pressurizing the system.

**B** Pressure/ Vacuum components designed for 25 PSIG/ 19" HgVac intermittent duty and 22 PSIG/ 18" HgVac continuous duty giving the user more available pressure/ vacuum to remove line plugs.

**C** Internal oil pump provides lubrication to opposite drive end eliminating the need for multiple fill points and multiple types of lubrication.

**D** Internal cooling fan reduces the expected oil temperature by 30% thereby increasing oil life by 6-8 times.

**E** Speed increasing gear set to ensure optimal blower speed while optimizing truck engine idling speed of 800-1000 RPM.



Speed	10 PSIG		12 PSIG		16 PSIG		20 PSIG		22 PSIG	
	CFM	BHP	CFM	BHP	CFM	BHP	CFM	BHP	CFM	BHP
1000	325	22.2	310	26.4	280	34.8				
1200	425	27.4	410	32.4	380	42.5	355	52.6		
1600	625	38.7	610	45.4	580	58.9	555	72.3	540	79.0
1800	725	45.1	710	52.6	680	67.7	655	82.9	640	90.4
2000	825	52.0	810	60.4	780	77.2	755	94.0	740	102.4
Speed	10" HgVac		12" HgVac		14" HgVac		16" HgVac		18" HgVac	
	CFM	BHP	CFM	BHP	CFM	BHP	CFM	BHP	CFM	BHP
1000	350	11.1	330	13.1	300	15.0	275	17.0	240	19.0
1200	450	13.8	430	16.1	405	18.4	375	20.7	340	23.0
1600	650	19.8	630	22.8	605	25.7	575	28.7	540	31.6
1800	750	23.3	730	26.5	705	29.8	675	33.0	640	36.2
2000	850	27.2	830	30.6	805	34.1	775	37.5	740	41.0

